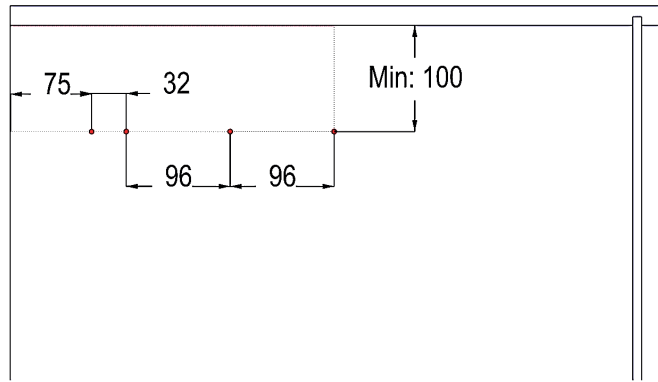
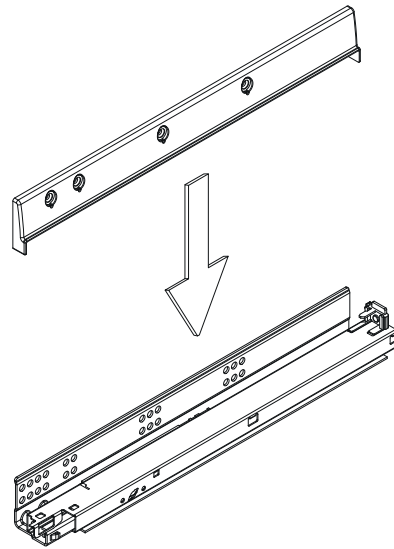


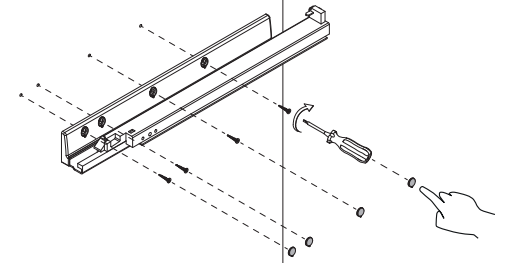
A-1



B-1

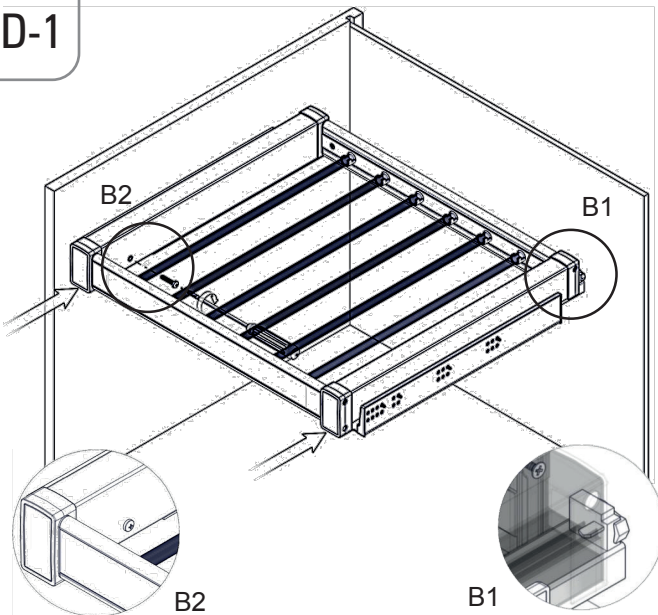


C-1

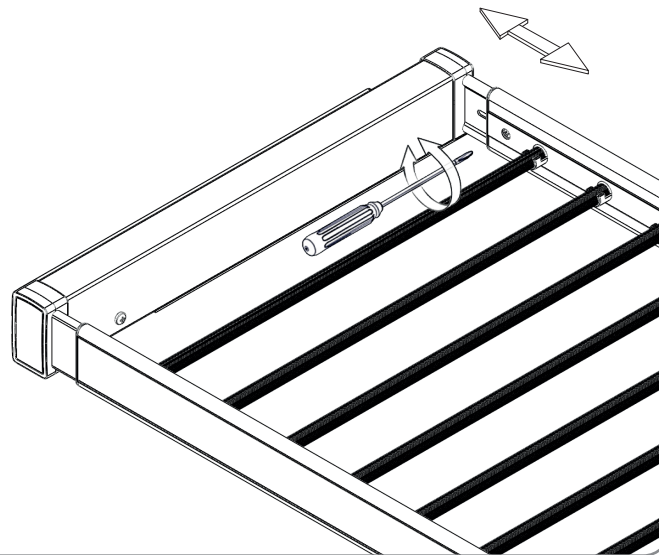


8x Cover  
8x 3,5x16

D-1



E-1



F-1

